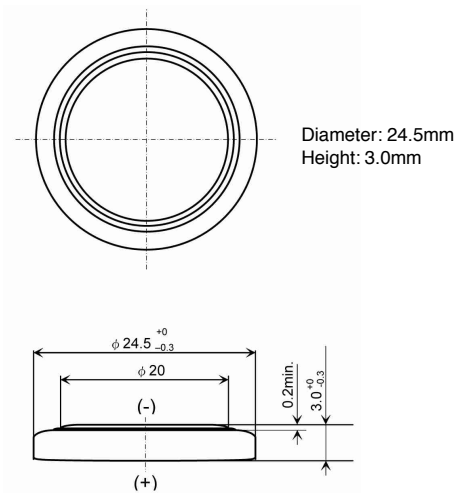


<b>Description</b>	: Flat Lithium Battery
<b>Chemical system</b>	: Lithium Manganese Dioxide
<b>Nominal voltage</b>	: 3 Volts
<b>Nominal capacity</b>	: 300mAh@6.8k $\Omega$ to 2.5V
<b>Dimensions</b>	: $\phi$ 24.5 x 3.0mm
<b>Shelf life</b>	: 5 years at room temperature
<b>Average weight</b>	: 4 grams
<b>Application</b>	: Watch, calculator, camera and memory back up

### Cross References:

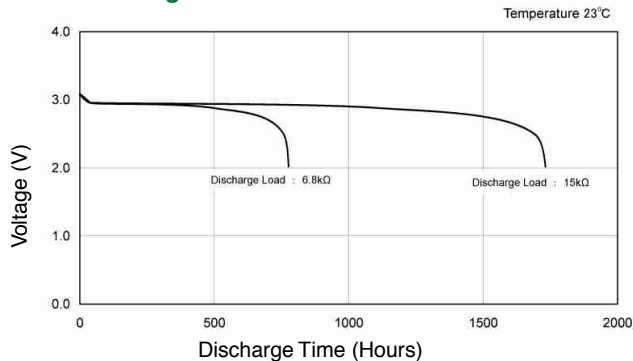
IEC	JIS	Eveready	Varta	Duracell
CR2430	CR2430	ECR2430	CR2430	DL2430

Model No.: **CR2430**

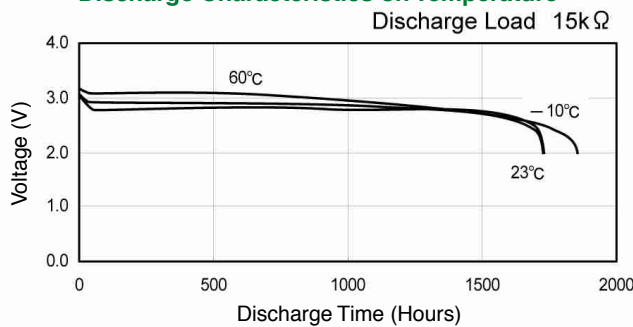


**Dimension Drawing**

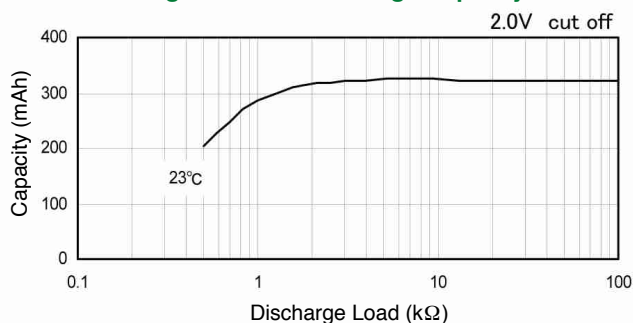
### Discharge Characteristics on Load



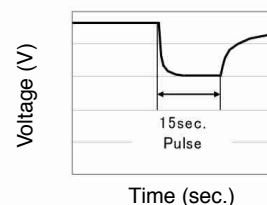
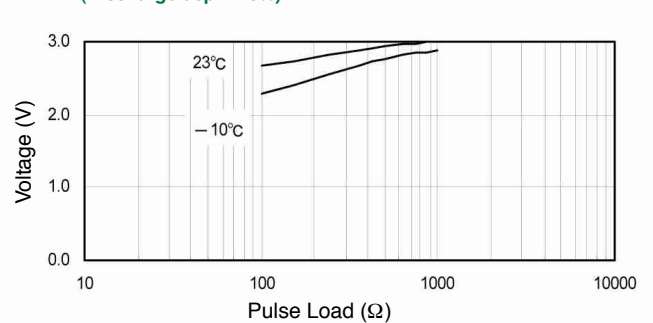
### Discharge Characteristics on Temperature



### Discharge Load vs. Discharge Capacity



### Discharge Characteristics on Pulse Load



The information (subject to change without prior notice) contained in this document is for reference only and should not be used as a basis for product guarantee or warranty. For applications other than those described here, please consult your nearest GP Sales and Marketing Office or Distributors.